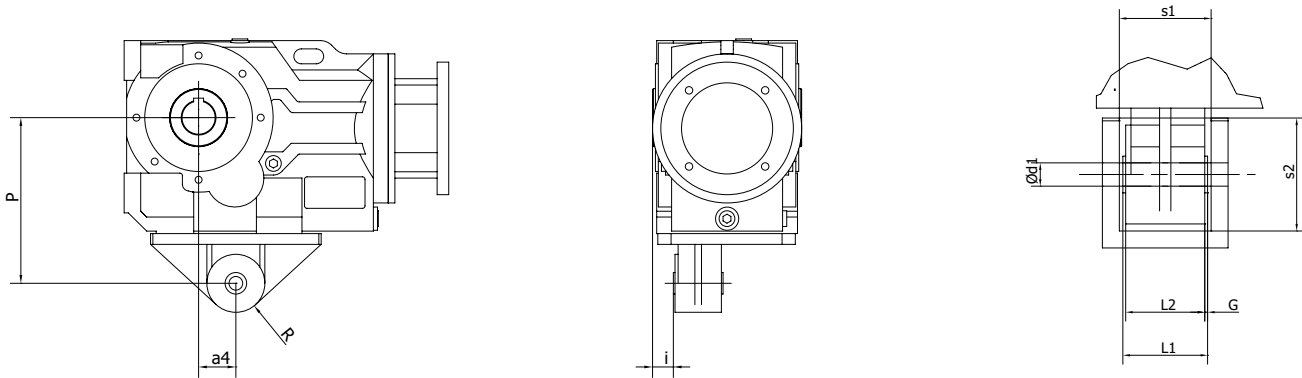


Series K Gearboxes : Accessories

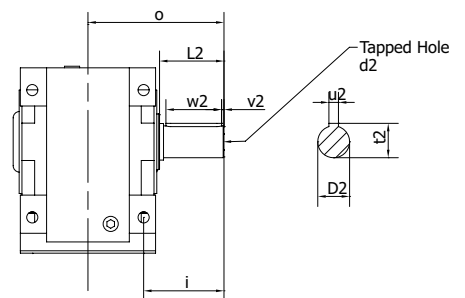
TORQUE ARM



Unit Size	P	a4	d1	R	i	l1	l2	G	s1	s2	kg	Part Number
890	140	23.5	10.5/10.3	20	20	36	32	2	41	50	1.0	890A9600
891	160	30.0	10.5/10.3	20	20	36	32	2	41	50	2.0	891A9600
892	192	40.0	16.5/16.3	35	18	60	56	2	65	80	3.8	892A9600
893	200	45.0	16.5/16.3	35	25	60	56	2	65	80	4.1	893A9600
894	250	52.5	16.5/16.3	35	25	60	56	2	65	80	6.3	894A9600
895	300	60.0	25.25/24.75	40	30	80	70	5	85	95	14.0	895A9600
896	350	70.0	25.25/24.75	40	40	100	90	5	105	95	18.0	896A9600
897	450	74.0	25.25/24.75	40	45	100	90	5	105	95	27.0	897A9600
898	550	60.0	38.25/37.75	58	10	126	110	8	131	130	32.0	898A9600

SINGLE OUTPUT SHAFT

Unit Size	ØD2	L2	t2	u2	v2	w2	i	o	d1	kg	Part Number
890	25	47	28.0	8	3	40	60.0	110	M10x1.5 x 22	0.7	890A9700
891	30	56	33.0	8	3	50	75.0	135	M12x1.75 x 28	1.1	891A9700
892	35	66	38.0	10	3	56	88.0	153	M16x2.0 x 38	1.3	892A9700
893	40	76	43.0	12	3	70	101.0	171	M16x2.0 x 38	1.8	893A9700
894	50	95	53.5	14	3	80	123.5	206	M16x2.0 x 38	3.5	894A9700
895	60	114	64.0	18	3	100	150.0	240	M20x2.5 x 42	6.1	895A9700
896	70	135	74.5	20	3	110	171.0	291	M20x2.5 x 42	10.8	896A9700
897	90	172	95.0	25	5	140	212.0	347	M20x2.5 x 42	18.5	897A9700
898	110	213	116.0	28	5	180	253.0	418	M24x3.0 x 55	34.6	898A9700



DOUBLE OUTPUT SHAFT

Unit Size	ØD2	L2	t2	u2	v2	w2	i	o	d1	kg	Part Number
890	25	47	28.0	8	3	40	60.0	110	M10x1.5 x 22	1.0	890A9800
891	30	56	33.0	8	3	50	75.0	135	M12x1.75 x 28	1.7	891A9800
892	35	66	38.0	10	3	56	88.0	153	M16x2.0 x 38	2.5	892A9800
893	40	76	43.0	12	3	70	101.0	171	M16x2.0 x 38	3.1	893A9800
894	50	95	53.5	14	3	80	123.5	206	M16x2.0 x 38	5.9	894A9800
895	60	114	64.0	18	3	100	150.0	240	M20x2.5 x 42	9.0	895A9800
896	70	135	74.5	20	3	110	171.0	291	M20x2.5 x 42	18.0	896A9800
897	75	163	79.5	20	5	110	203.0	347	M20x2.5 x 42	25.0	897A9800
898	95	200	100.0	25	5	140	240.0	418	M20x2.5 x 42	50.0	898A9800

